



IQORON series  
The air cleaner  
for tight installation  
spaces



# IQORON series

## Air cleaners for tight installation spaces

Tight installation spaces and high air flow rates are no problem for the IQORON. The product range with a variety of designs offers numerous advantages for original equipment manufacturers and the aftermarket.

### YOUR ADVANTAGES

- Excellent installation space flexibility in tight installation spaces
- Long service life
- Eco-friendly elements (metal-free)
- Unique cleanable pre-separator
- Quick fitting
- Service switch/indicator mountable to housing
- High temperature stability up to 120° C through glass-fiber reinforced polyamide



Technical features	IQORON-V	IQORON	IQORON-S
Application area	For extremely dusty applications such as agricultural and construction machinery and mobile compressors, etc.	High dust loads	Light dust loads
Air requirement	2 - 14 m <sup>3</sup> /min	4 - 14 m <sup>3</sup> /min	4 - 10 m <sup>3</sup> /min
Pre-separator	Multi-cyclone block (cleanable as required)	Multi-cyclone block (cleanable as required)	-
Pre-separation efficiency <sup>1)</sup> with dust discharge valve with scavenging (10%)	up to 90% up to 95%	- > 95%	- -
Dust discharge	Dust discharge valve (option: scavenging)	Scavenging (e.g. ejector or blower)	-
Installation	Inline concept, vertical and horizontal installation positions possible	Inline concept, vertical and horizontal installation positions possible	Inline concept, vertical and horizontal installation positions possible
Final separation efficiency <sup>2)</sup>	> 99,97%	> 99,97%	> 99,97%

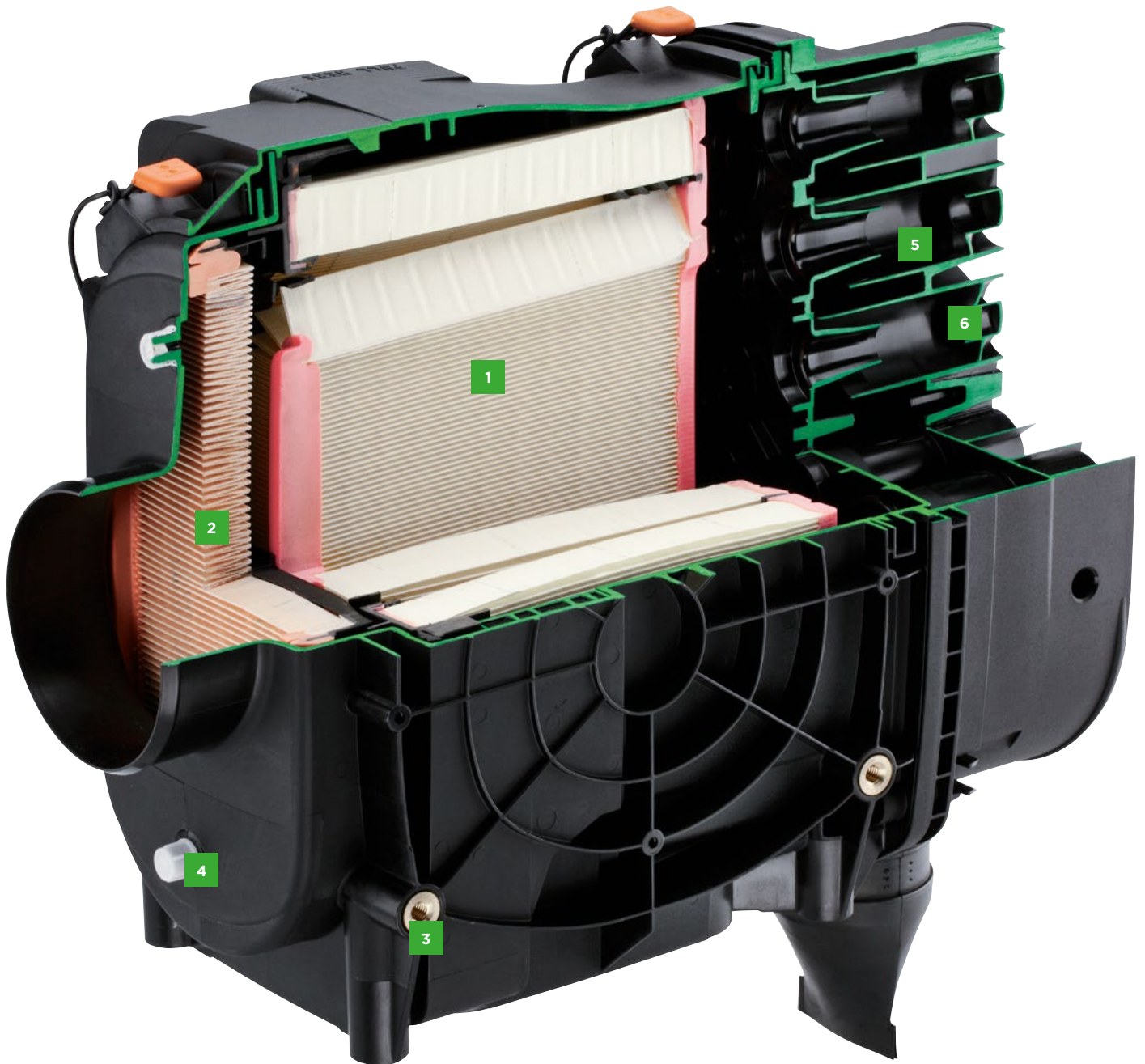
<sup>1)</sup> Depending on the size

<sup>2)</sup> Acc. to ISO 5011, coarse ISO test dust



# IQORON series

## Design and advantages in detail



### 1 FILTER ELEMENT



**Design:** CompacPleat filter element (metal-free) with large filter surface area

**Advantage:** long service life in a small installation space

### 2 SECONDARY ELEMENT



**Design:** flat element with reinforcement (metal-free)

**Advantage:** protection on the clean side while servicing the main element

### 3 FITTING



**Design:** integrated mounting with through-holes (only IQ-V 4.5 / 7) and/or threaded inserts (all)

**Advantage:** quick fitting

### 4 SERVICE SWITCH / INDICATOR



**Design:** integrated connection on housing for service switch or service indicator

**Advantage:** compact design

### 5 PRE-SEPARATOR



**Design:** highly efficient multi-cyclone block (cleanable as required)

**Advantage:** compact design, easy to service

### 6 INTAKE HOODS



**Design:** for IQORON-V 9 and -V 14

**Advantage:** flexible adaptation for simpler piping, reduced pressure drop





# IQORON-V

## Installation positions and order numbers



1

Vertical installation



2

Horizontal installation



3

Vertical installation



4

Horizontal installation

Model	Nominal flow rate (m <sup>3</sup> /min)	Installation	Order number	Replacement filter element		Weight (kg)
			with secondary element	MANN-FILTER main element	MANN-FILTER secondary element	
IQORON-V 4.5	3 - 4.5	1	45 180 95 910	C 22 041	CF 1941	2.9
		2	45 180 95 912			
IQORON-V 7	4 - 7	1	45 270 95 910	C 26 270	CF 2125/1	3.1
		2	45 270 95 911			
IQORON-V 9	5 - 9	3	45 402 95 910 <sup>1)</sup>	C 30 400/1	CF 2631	4.8
		4	45 402 95 911			
		3	45 402 95 912			
		4	45 402 95 913 <sup>2)</sup>			
		3	45 402 95 990 <sup>3)</sup>			
		3	45 402 95 991 <sup>4)</sup>			
IQORON-V 14	7 - 14	3	45 580 95 910	C 34 540 <sup>5)</sup>	CF 2944	5.9
		4	45 580 95 911			

<sup>1)</sup> Cover and dust discharge valve on same side

<sup>2)</sup> Cover left

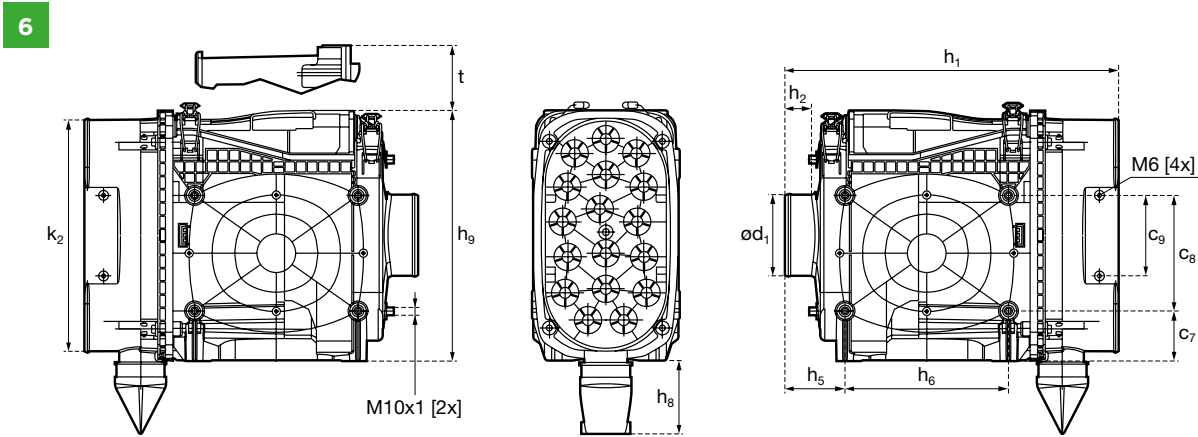
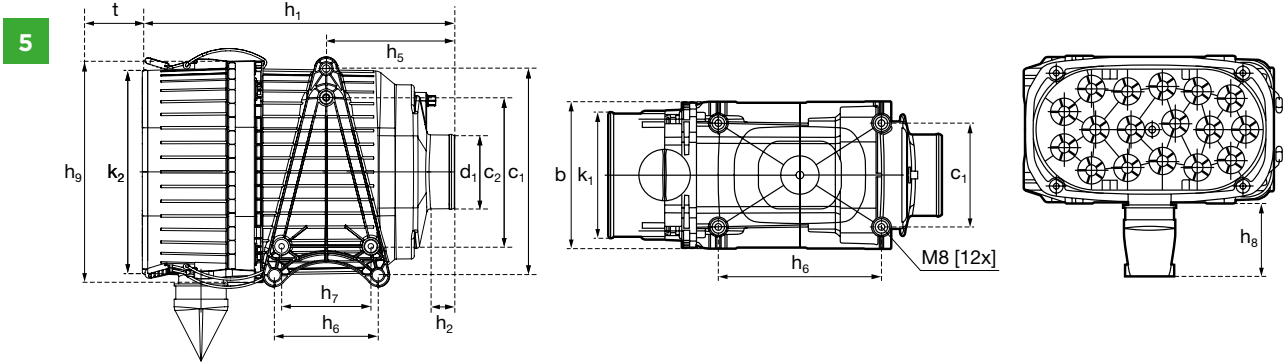
<sup>3)</sup> Basic variant (4 x M8, mounting on the right side)

<sup>4)</sup> Basic variant (4 x M8, mounting on the left side)

<sup>5)</sup> New sales description as of Q1/2018: C 34 540/1

# IQORON-V

## Dimensions



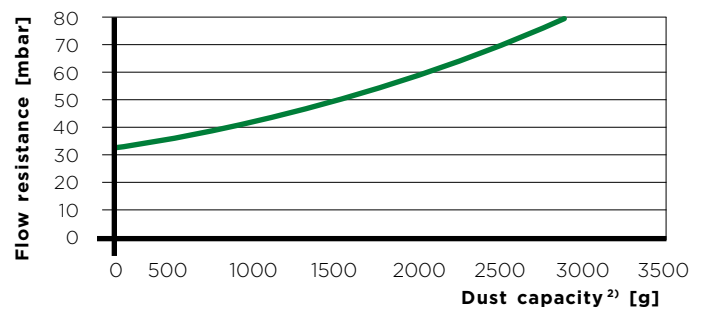
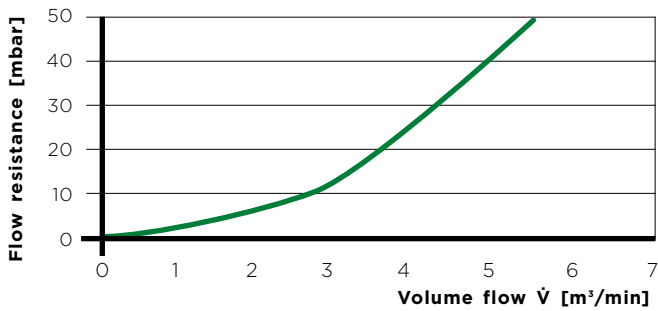
Dimensions	Dimensions in mm (inches)								
	b	c <sub>1</sub>	c <sub>2</sub>	c <sub>7</sub>	c <sub>8</sub>	c <sub>9</sub>	d <sub>1</sub>	h <sub>1</sub>	h <sub>2</sub>
<b>IQORON-V 4.5</b>	143.1 (5.63)	244 (9.61)	172 (6.77)	-	-	-	82 (3.23)	393.3 (15.48)	31.7 (1.25)
<b>IQORON-V 7</b>	176.4 (6.95)	250 (9.84)	180 (7.09)	-	-	-	89.1 (3.51)	378 (14.88)	30 (1.18)
<b>IQORON-V 9</b>	185 (7.28)	130 (5.12)	-	63 (2.84)	145 (5.71)	100 (3.94)	102 (4.02)	418.8 (16.49)	34 (1.34)
<b>IQORON-V 14</b>	220.3 (8.67)	145 (5.71)	-	78.2 (3.08)	145 (5.71)	100 (3.94)	127 (5.00)	435.7 (17.15)	34 (1.34)
	h <sub>5</sub>	h <sub>6</sub>	h <sub>7</sub>	h <sub>8</sub>		h <sub>9</sub>	k <sub>1</sub>	k <sub>2</sub>	t
				5	6				
<b>IQORON-V 4.5</b>	155 (6.10)	92 (3.62)	75 (2.95)	77.7 (3.06)	67.8 (2.67)	254.8 (10.03)	118.9 (4.68)	222 (8.74)	50 (1.97)
<b>IQORON-V 7</b>	155 (6.10)	125 (4.92)	108 (4.25)	88.5 (3.48)	86.1 (3.39)	268.8 (10.58)	153 (6.02)	245.4 (9.66)	50 (1.97)
<b>IQORON-V 9</b>	75.3 (2.97)	205 (8.07)	-	92.5 (3.64)	91.1 (3.59)	314.9 (12.40)	157.2 (6.19)	289.7 (11.41)	210.1 (8.27)
<b>IQORON-V 14</b>	78.2 (3.08)	205 (8.07)	-	89.5 (3.52)	86 (3.39)	346.3 (13.63)	190 (7.48)	316.3 (12.45)	218.7 (8.61)



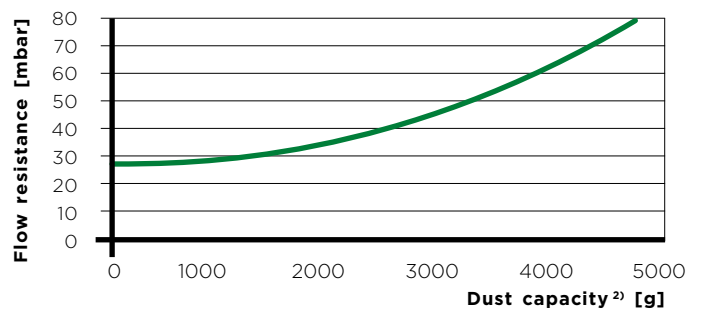
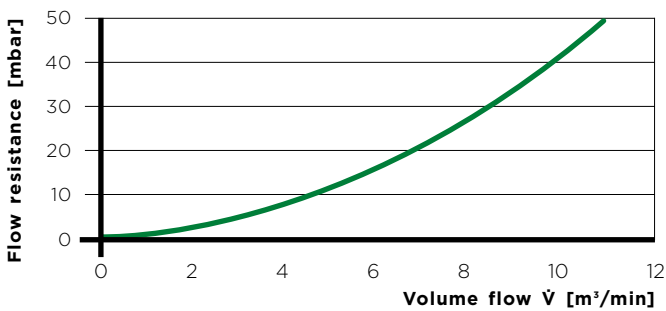
# IQORON-V

## Flow characteristics acc. to ISO 5011

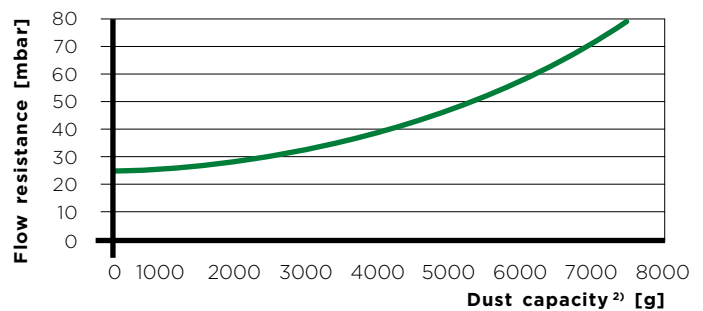
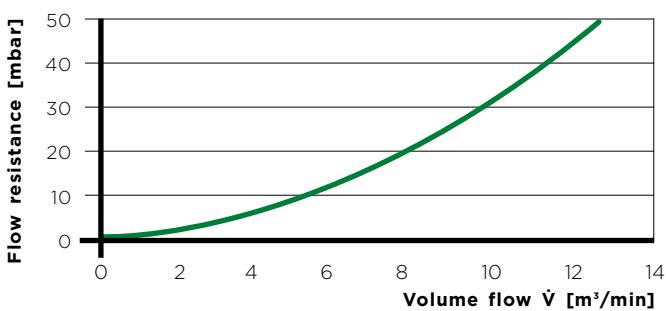
### IQORON-V 4.5<sup>1)</sup>



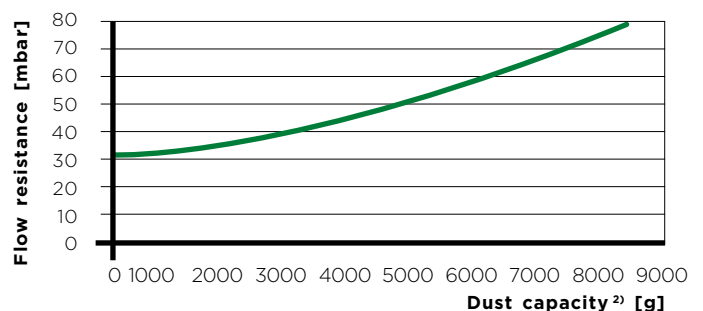
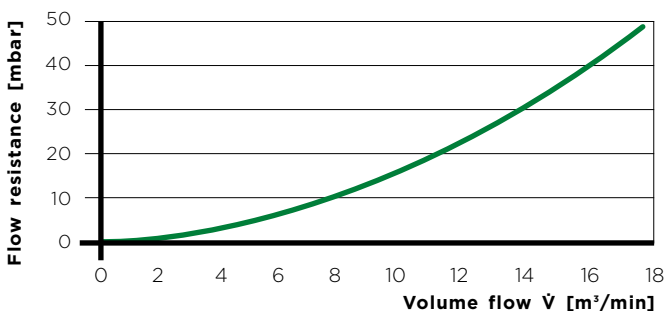
### IQORON-V 7



### IQORON-V 9



### IQORON-V 14<sup>1)</sup>



— with secondary element, without scavenging (dust discharge via valve)

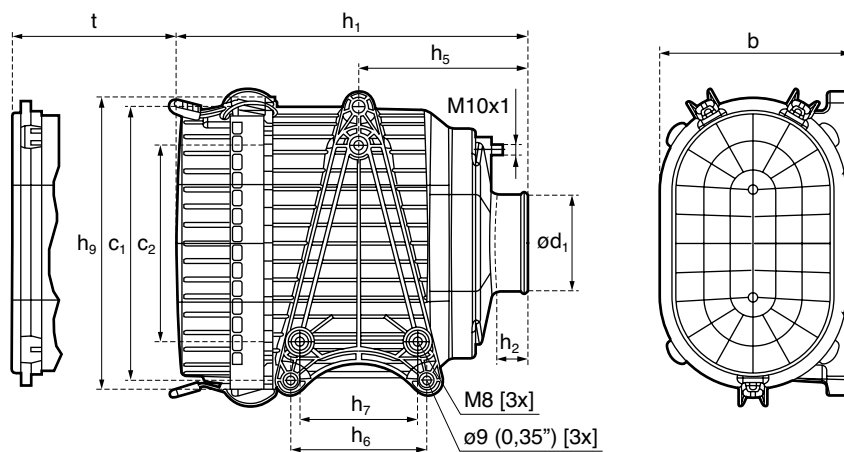
<sup>1)</sup> Horizontal data available on request

<sup>2)</sup> Dust capacities measured at max. nominal flow rate. Data for scavenging available on request.



# IQORON-S

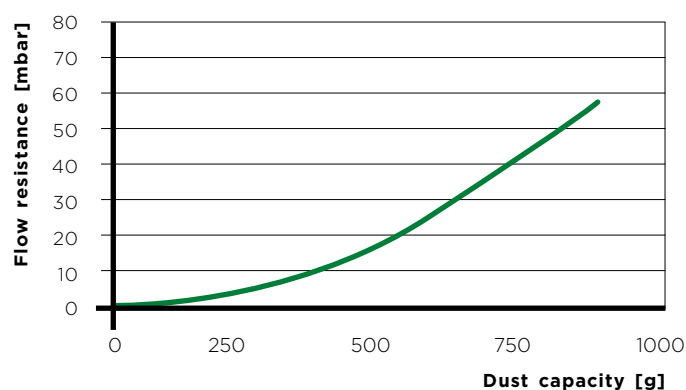
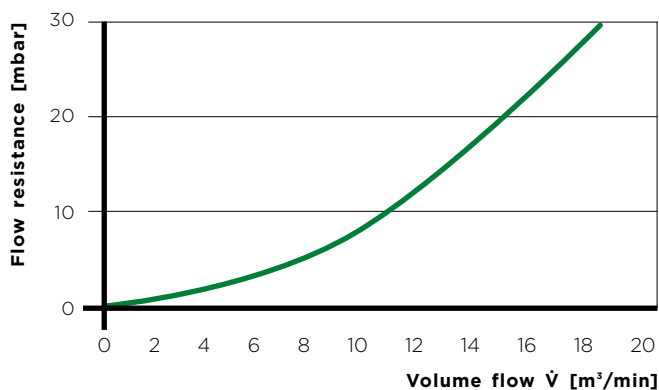
## Dimensions, order numbers and flow characteristics



1

Model	Nominal flow rate (m <sup>3</sup> /min)	Installation	Order number	Replacement filter element		Weight (kg)
			with secondary element	MANN-FILTER main element	MANN-FILTER secondary element	
IQORON-S 7	4 - 10	1	45 270 75 910	C 26 270	CF 2125/1	2.7

Dimensions	Dimensions in mm (inches)										
	b	c <sub>1</sub>	c <sub>2</sub>	d <sub>1</sub>	h <sub>1</sub>	h <sub>2</sub>	h <sub>5</sub>	h <sub>6</sub>	h <sub>7</sub>	h <sub>9</sub>	t
IQORON-S 7	176.4 (6.95)	250 (9.84)	180 (7.09)	89.1 (3.51)	324 (12.76)	30 (1.18)	155 (6.10)	125 (4.92)	108 (4.25)	267.9 (10.55)	105 (4.13)



— without secondary element





# IQORON

## Installation positions and order numbers



1

Horizontal installation



2

Vertical installation



3

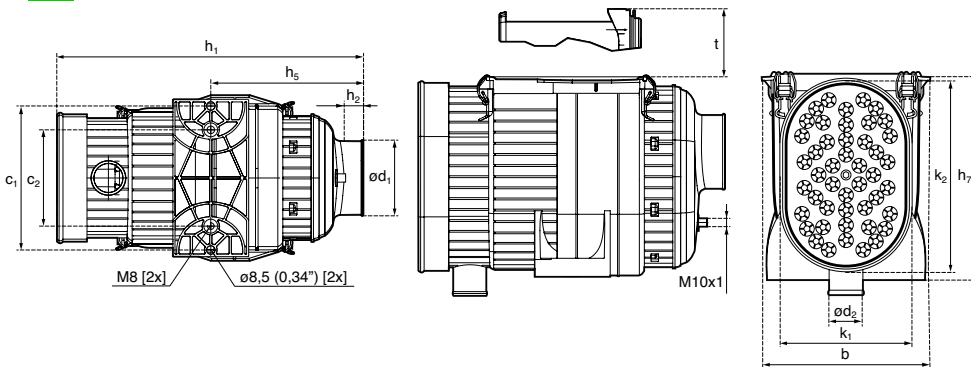
Horizontal installation

Model	Nominal flow rate (m <sup>3</sup> /min)	Installation	Order number	Replacement filter element		Weight (kg)
			with secondary element	MANN-FILTER main element	MANN-FILTER secondary element	
IQORON 7	4.5	1	45 215 95 910	C 23 220	CF 2125	3.5
		2	45 215 95 911			
		3	45 215 95 912			
IQORON 10	5 - 10	1	45 395 95 910	C 27 380	CF 2530	5.0
		2	45 395 95 911			
		3	45 395 95 912			
IQORON 12	6 - 12	1	45 395 95 990	C 27 380	CF 2530	5.3
		2	45 395 95 991			
		3	45 395 95 992			

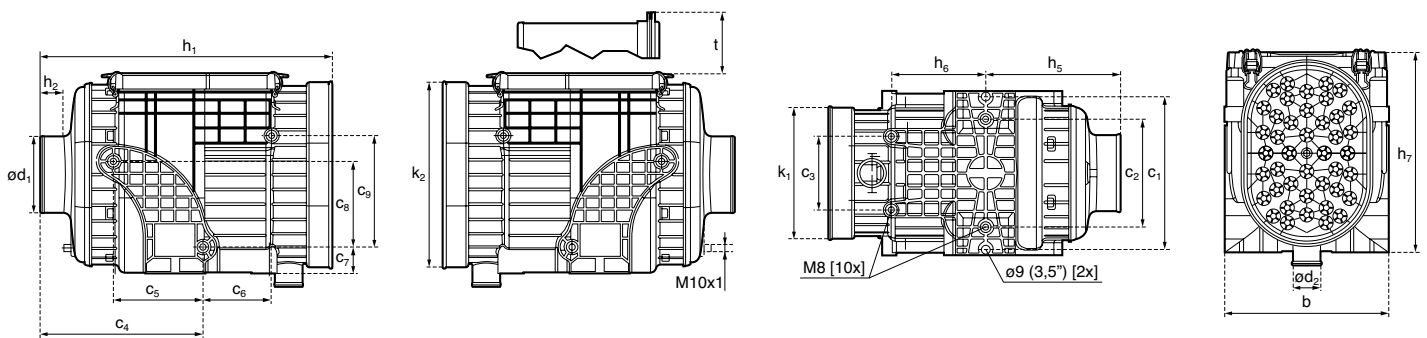
# IQORON

## Dimensions

4



5



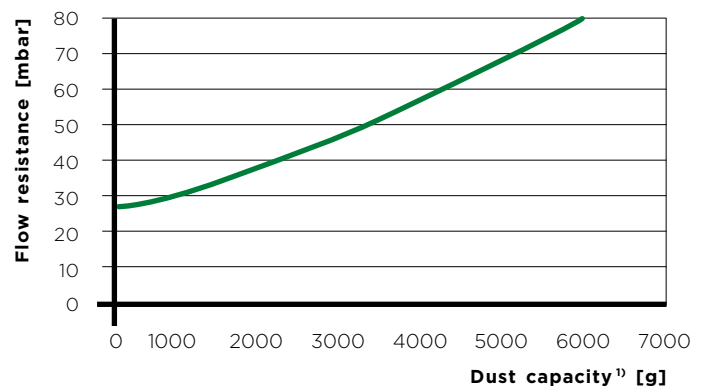
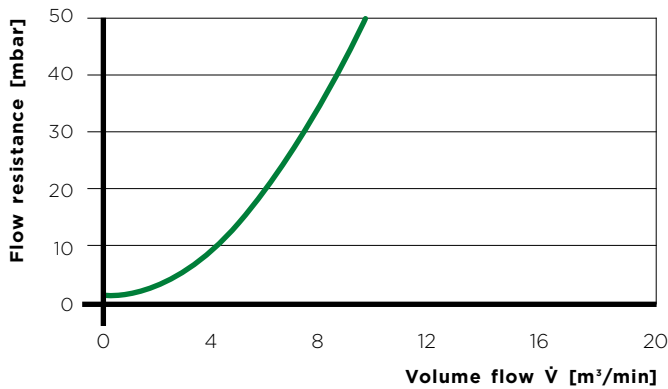
Model	Installation	Dimensions in mm (inches)									
		b	c <sub>1</sub>	c <sub>2</sub>	c <sub>3</sub>	c <sub>4</sub>	c <sub>5</sub>	c <sub>6</sub>	c <sub>7</sub>	c <sub>8</sub>	c <sub>9</sub>
<b>IQORON 7</b>	4	207.5 (8.17)	173 (6.81)	115.7 (4.56)	-	-	-	-	-	-	-
<b>IQORON 10</b>	5	236 (9.29)	218 (8.58)	155 (6.10)	105.4 (4.15)	233.4 (9.19)	128.4 (5.06)	98.4 (3.87)	37.7 (1.48)	123 (4.84)	159.9 (6.30)
<b>IQORON 12</b>	5	236 (9.29)	218 (8.58)	155 (6.10)	105.4 (4.15)	233.4 (9.19)	128.4 (5.06)	98.4 (3.87)	37.7 (1.48)	123 (4.84)	159.9 (6.30)
		d <sub>1</sub>	d <sub>2</sub>	h <sub>1</sub>	h <sub>2</sub>	h <sub>5</sub>	h <sub>6</sub>	h <sub>7</sub>	k <sub>1</sub>	k <sub>2</sub>	t
<b>IQORON 7</b>	4	89 (3.50)	40 (1.57)	368 (14.49)	30 (1.18)	183.5 (7.22)	-	240 (9.45)	153 (6.02)	226 (8.90)	225.3 (8.87)
<b>IQORON 10</b>	5	110 (4.33)	40 (1.57)	420 (16.54)	30 (1.18)	193.5 (7.62)	135.2 (5.32)	287 (11.30)	189 (7.44)	266 (10.47)	263.9 (10.39)
<b>IQORON 12</b>	5	110 (4.33)	40 (1.57)	425 (16.73)	30 (1.18)	193.5 (7.62)	135.2 (5.32)	287 (11.30)	216 (8.50)	293 (11.54)	263.9 (10.39)



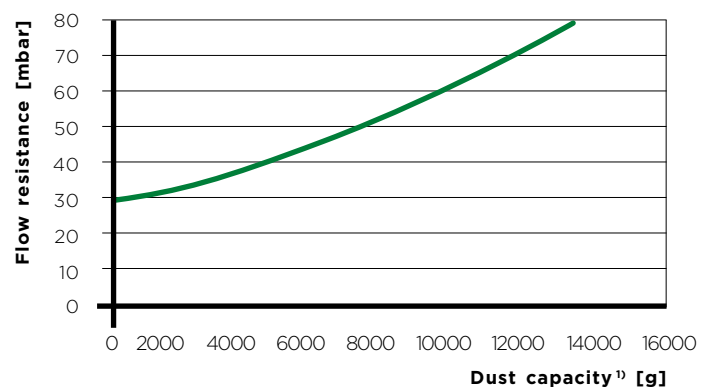
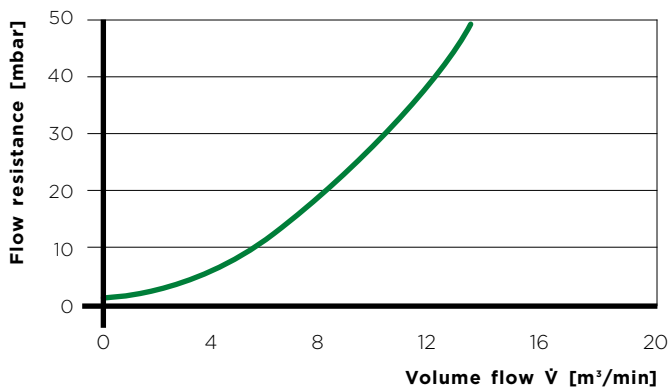
# IQORON

## Flow characteristics acc. to ISO 5011

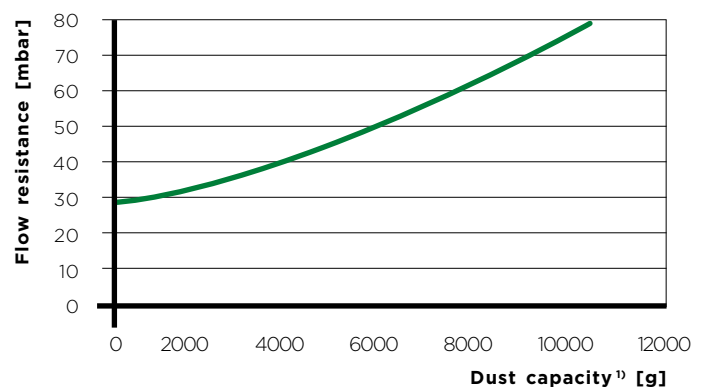
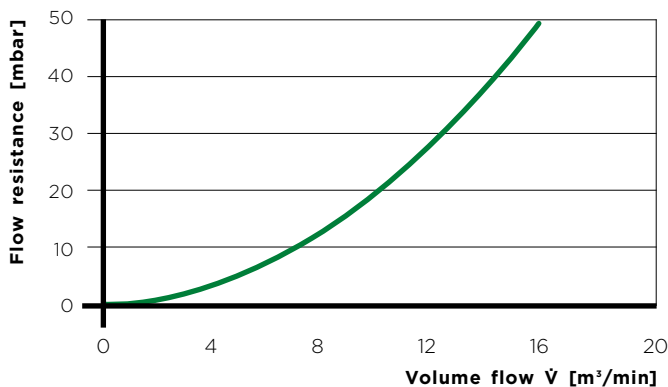
### IQORON 7



### IQORON 10



### IQORON 12



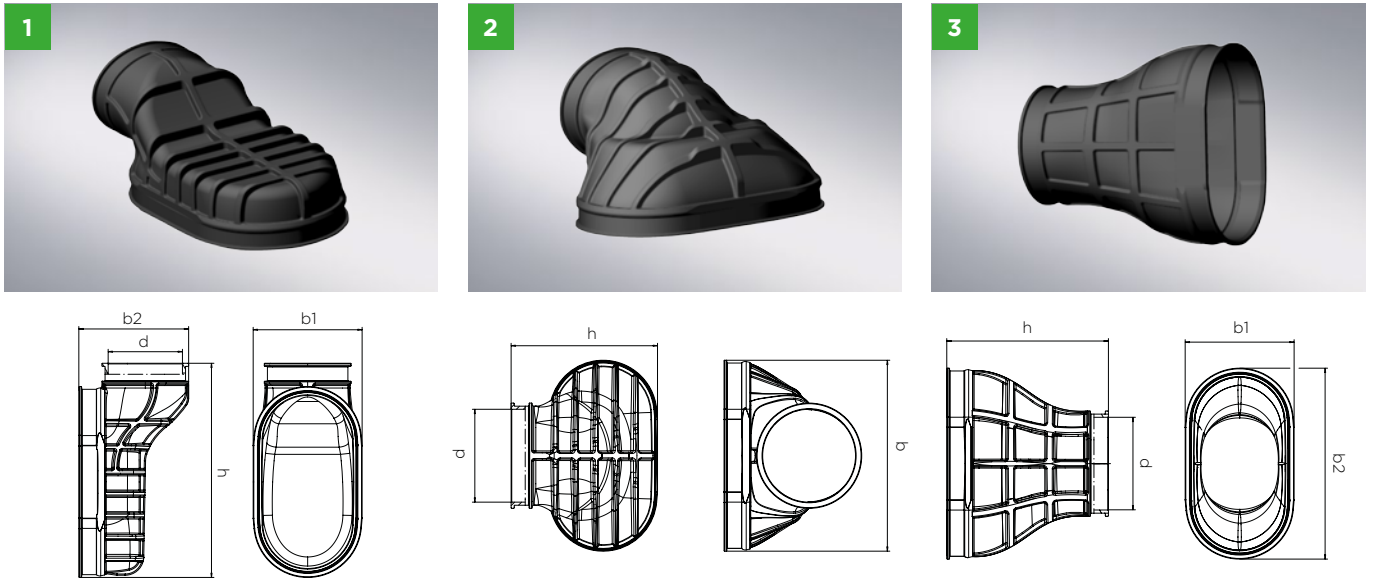
— with secondary element, 10% scavenging

<sup>1)</sup> Dust capacities measured at max. nominal flow rate



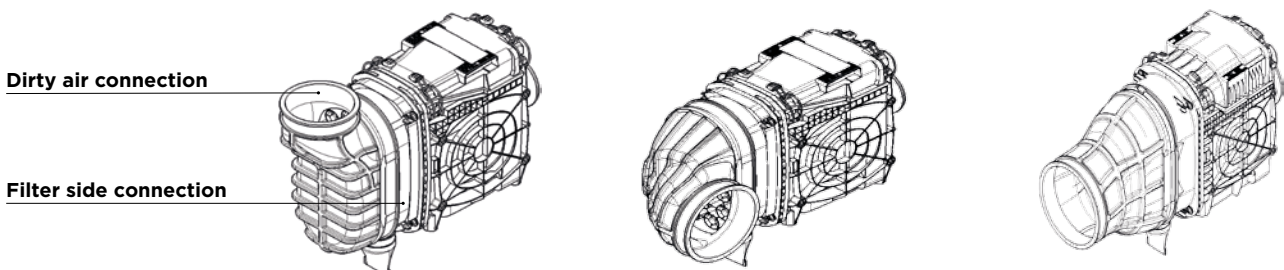
# Accessories

## Intake hoods for IQORON-V 9 and -V 14



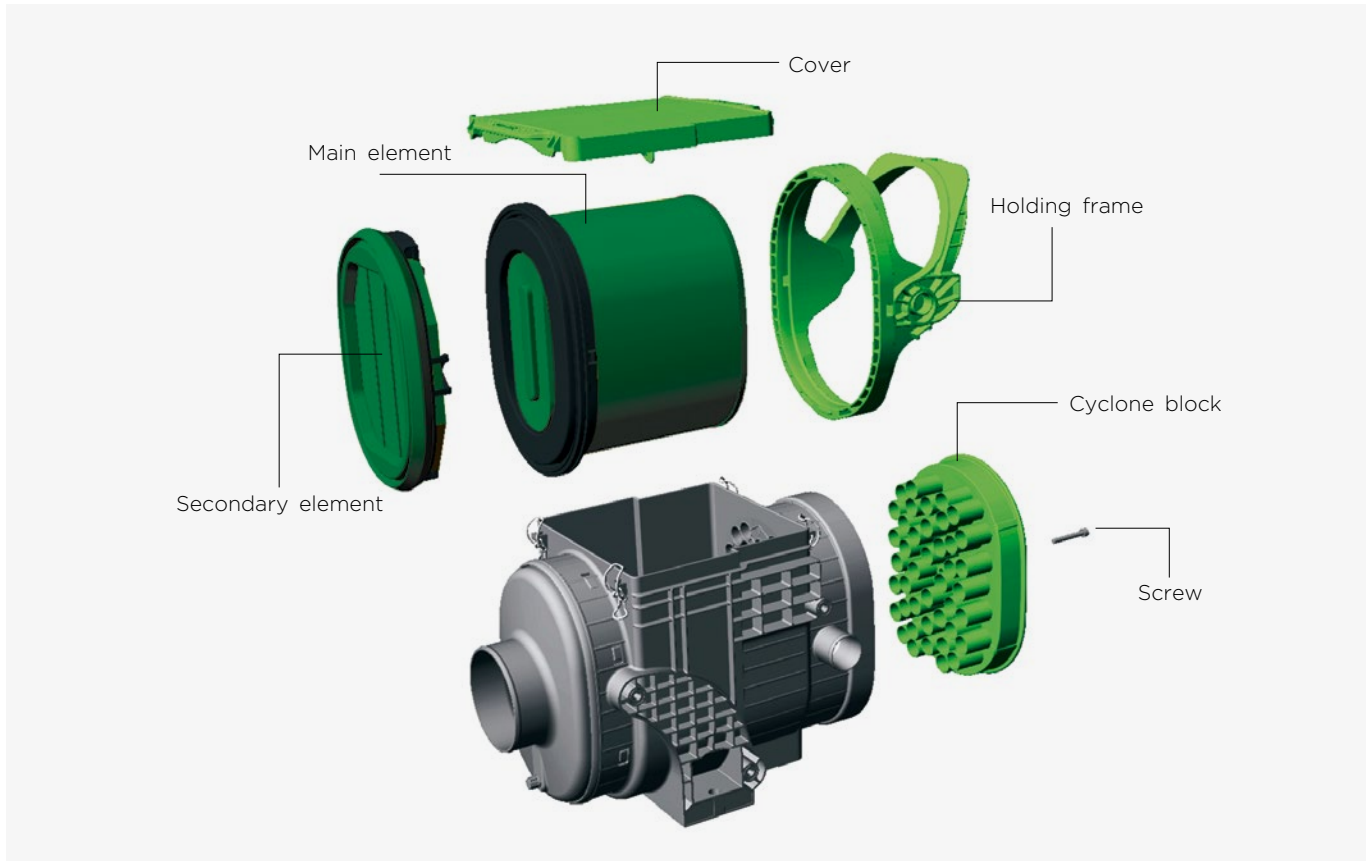
Model	Order number	Variant	Clamp on filter side (connection to multi-cyclone block)	Clamp on customer side (dirty air connection)
IQORON-V 9	45 402 97 910	1	11 488 98 S01	11 513 46 S01
	45 402 97 920	2		11 513 33 S01
	45 402 97 930	3		
IQORON-V 14	45 402 99 910	1	11 495 68 S01	11 513 33 S01
	45 402 99 920	2		
	45 402 99 930	3		12 046 68 S01

Model	Variant 1 Dimensions in mm (inches)				Variant 2 Dimensions in mm (inches)			Variant 3 Dimensions in mm (inches)			
	h	b1	b2	d	h	b	d	h	b1	b2	d
IQORON-V 9	345.9 (13.62)	176 (6.93)	177.4 (6.98)	120 (4.72)	236.5 (9.31)	308.4 (12.14)	157.2 (6.19)	261 (10.28)	176 (6.93)	308.4 (12.14)	150 (5.91)
IQORON-V 14	373.2 (14.69)	210.4 (8.27)	209.4 (8.24)	140 (5.51)	224.4 (8.83)	336.4 (13.23)	150 (5.90)	264.4 (10.41)	210 (8.27)	336 (13.23)	180 (7.09)





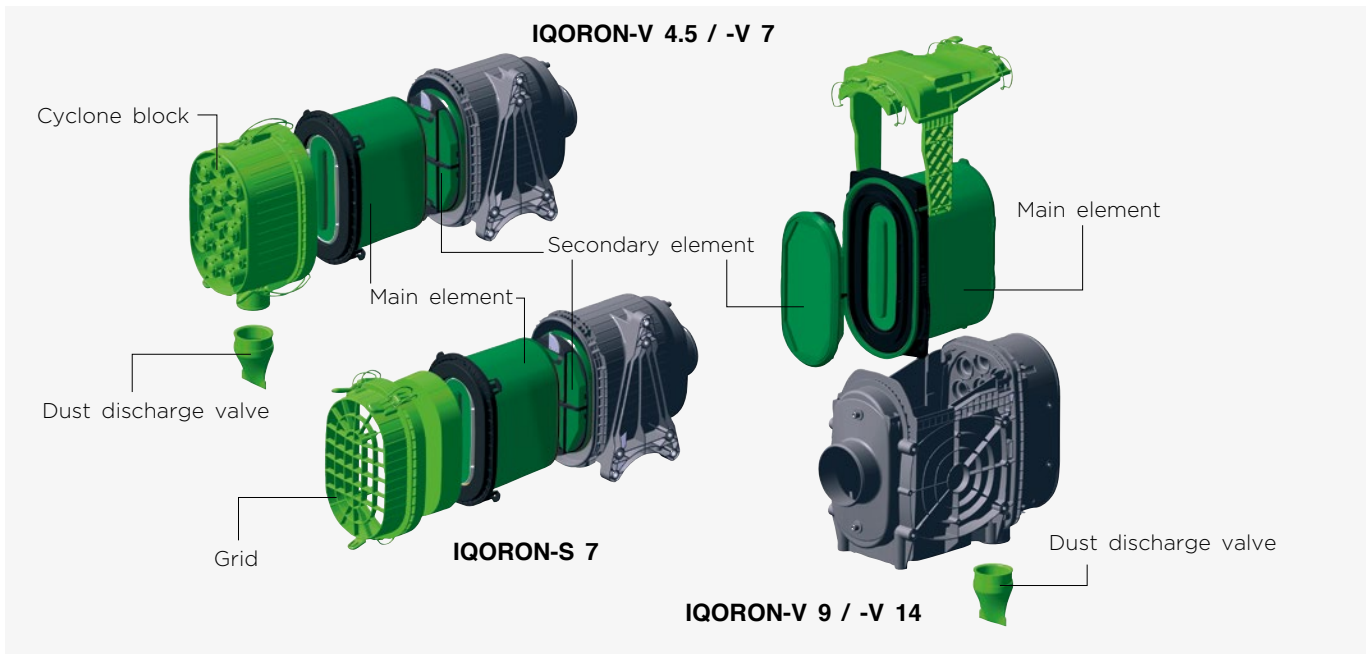
# Replacement parts IQORON series



Model	Order number				Replacement filter element	
	Cover	Cyclone block adjustable	Holding frame adjustable	Screw	MANN-FILTER main element	MANN-FILTER secondary element
<b>IQORON 7</b>	45 215 17 999	45 210 12 998	-		C 23 220	CF 2125
<b>IQORON 10</b>	45 395 17 999	45 420 12 998		01 105 06 050		
<b>IQORON 12</b>	45 395 17 999	45 550 12 999	45 395 12 999		C 27 380	CF 2530

Model	Tightening torque			Operating temperatures	
	Max. tightening torque for hose clamp (clean side)	Tightening torque for threaded insert	Tightening torque for through-hole	Continuous operating temperature	Short-term operating temperature
<b>IQORON 7</b>	4 Nm	10 Nm	-	-30 up to +100 °C	+120 °C
<b>IQORON 10</b>	4 Nm	10 Nm	-	-30 up to +100 °C	+120 °C
<b>IQORON 12</b>	4 Nm	10 Nm	-	-30 up to +100 °C	+120 °C

# Replacement parts IQORON-S and IQORON-V series



Model	Order number						Replacement filter element	
	Cyclone block		Dust valve	Grid	Foam	Cover	MANN-FILTER main element	MANN-FILTER secondary element
	Vertical installation	Horizontal installation						
<b>IQORON-V 4.5</b>	45 180 12 988	45 180 12 999	39 000 40 731	-	-	-	C 22 041	CF 1941
<b>IQORON-S 7</b>	-	-	-	45 280 12 972	45 270 04 100	-	C 26 270	CF 2125/1
<b>IQORON-V 7</b>	45 280 47 982	45 280 47 962	39 000 40 731	-	-	-	C 30 400/1	CF 2631
<b>IQORON-V 9</b>	45 402 47 982	45 402 47 962	39 000 40 731	-	-	45 402 17 929	C 34 540 <sup>1)</sup>	CF 2294
<b>IQORON-V 14</b>	45 580 47 981	45 580 47 961	39 000 40 731	-	-	45 580 17 929	C 34 540 <sup>1)</sup>	CF 2294

<sup>1)</sup> New sales description as of Q1/2018: C 34 540/1

Model	Tightening torque			Operating temperatures	
	Max. tightening torque for hose clamp (clean side)	Tightening torque for threaded insert	Tightening torque for through-hole	Continuous operating temperature	Short-term operating temperature
<b>IQORON-V 4.5</b>	5 Nm	15 Nm	-	-40 up to +100 °C	+120 °C
<b>IQORON-S 7</b>	5 Nm	15 Nm	12 Nm	-30 up to +90 °C	+110 °C
<b>IQORON-V 7</b>	5 Nm	15 Nm	12 Nm	-30 up to +90 °C	+110 °C
<b>IQORON-V 9</b>	5 Nm	15 Nm	-	-40 up to +100 °C	+120 °C
<b>IQORON-V 14</b>	5 Nm	15 Nm	-	-40 up to +100 °C	+120 °C



W9 941 21301 en 1017 © MANN+HUMMEL GmbH

**MANN+**  
**HUMMEL**

[industrialfilters.mann-hummel.com](http://industrialfilters.mann-hummel.com)